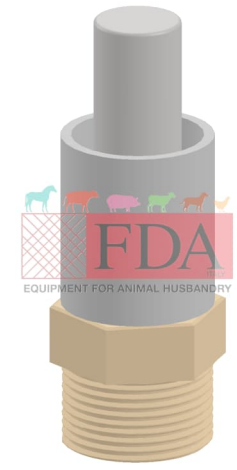
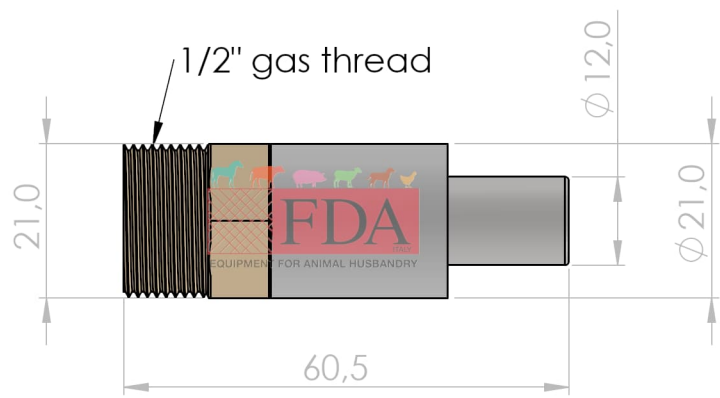


2

1

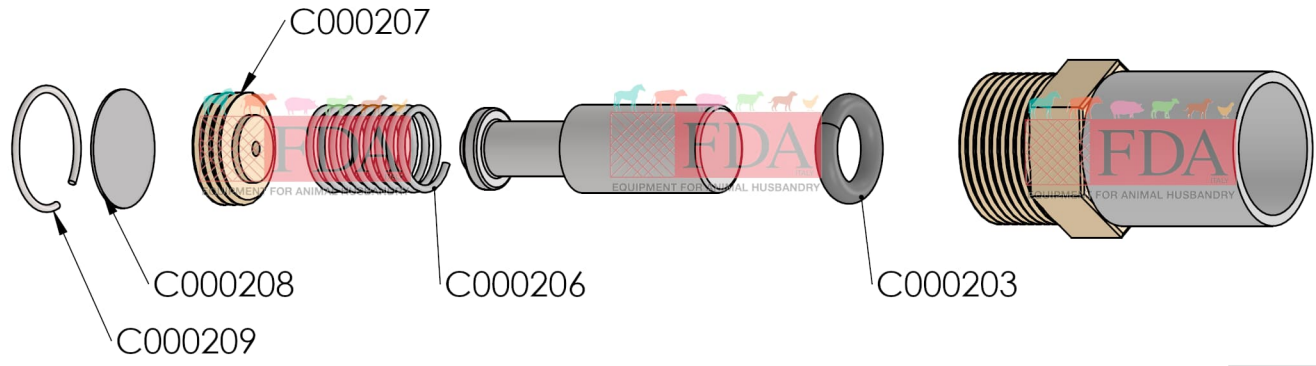
B

B



A

A



**PROPRIETARY AND CONFIDENTIAL**

THE INFORMATION CONTAINED IN THIS DRAWING IS THE SOLE PROPERTY OF FDA SRL. ANY REPRODUCTION IN PART OR AS A WHOLE WITHOUT THE WRITTEN PERMISSION OF FDA SRL IS PROHIBITED.

|            |                 |              |     |
|------------|-----------------|--------------|-----|
| FDA SRL    |                 |              |     |
| TITLE:     |                 |              |     |
| FDA000025  |                 |              |     |
| SIZE       |                 | DWG.NO.      | REV |
| <b>A</b>   | NIPPLE DRINKERS |              |     |
| SCALE: 1:1 |                 | SHEET 1 OF 1 |     |

2

1