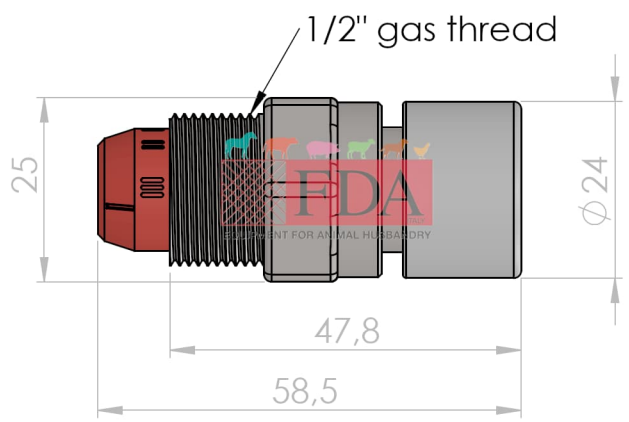


2

1

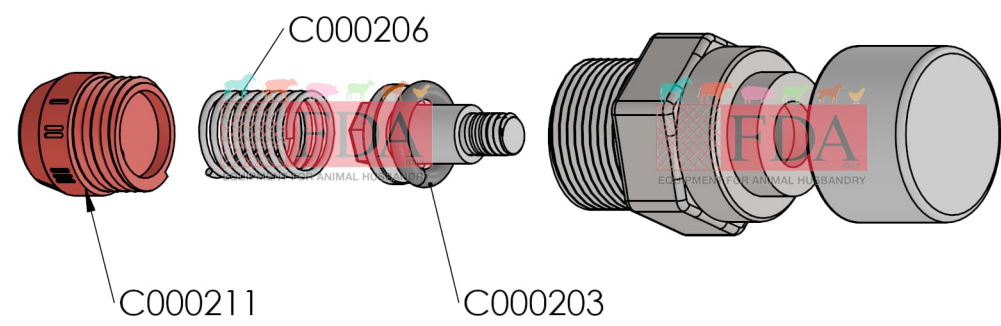
B

B



A

A



**PROPRIETARY AND CONFIDENTIAL**

THE INFORMATION CONTAINED IN THIS DRAWING IS THE SOLE PROPERTY OF FDA SRL. ANY REPRODUCTION IN PART OR AS A WHOLE WITHOUT THE WRITTEN PERMISSION OF FDA SRL IS PROHIBITED.

F.D.A. SRL - ITALY		
TITLE: <b>FDA000015ETP</b>		
SIZE <b>A</b>	CATEGORY NIPPLE DRINKERS	REV
SCALE: 1:1		SHEET 1 OF 1

2

1